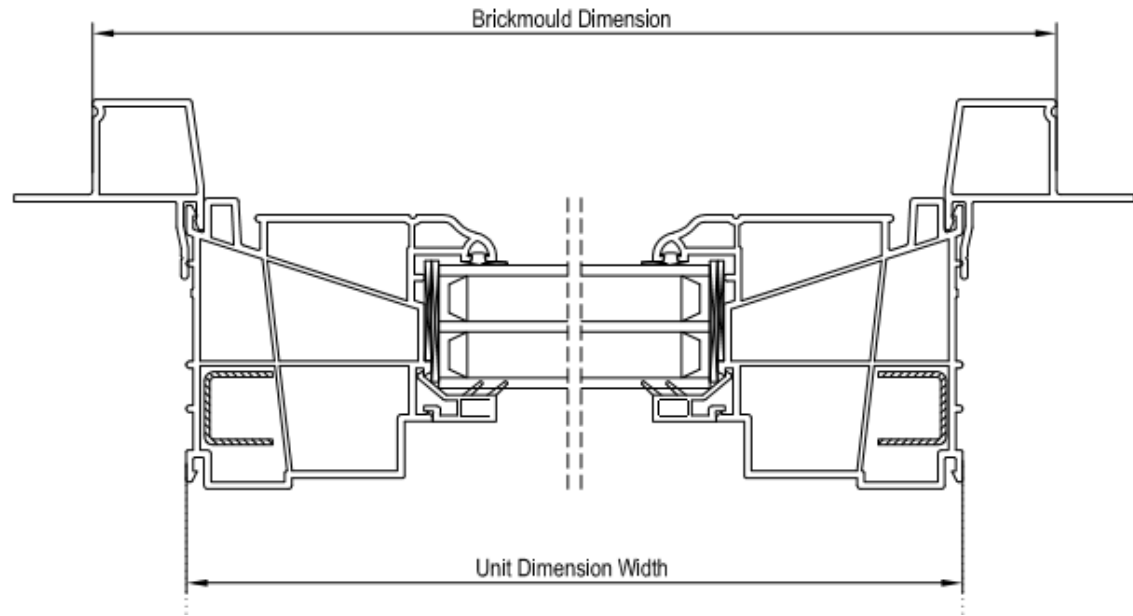




accessory dimension parameters



EXTERIOR TRIM ACCESSORY (BRICKMOULD)

ADDS TO FRAME SIZE (UNIT DIMENSION) PER SIDE

1 ¼" X 1"	1 1/16"
1 ½" X 1 ½"	1 3/8"
1 ½" X 1"	1 3/8"
2" X 1" DECORATIVE	1 7/8"
3" X 1" FLAT	3 1/4"
1 ½" X 3 ¼" SLOPED EXTENSION	1 1/4"
CELLULAR SILL	7/8"